

PRODUCT SUMMARY

SKY13719-11: Mid-Band LNA Front-End Module (B25, B3, B66, B7, and B41B)

Applications

- Diversity antenna cable or PCB trace loss compensation
- 3G/4G multimode cellular tablets and handsets (LTE, UMTS, CDMA2000, EDGE, and GSM)
- Embedded data cards

Features

- Rx diversity FEM with five selectable filters and LNA paths, three Auxiliary ports for extended band support
- Low insertion loss
- High-performance TC-SAW filter technology
- High-performance variable-gain LNAs
- SAW filters:
 - B25 (1930 to 1995 MHz)
 - B3 (1805 to 1880 MHz)
 - B66 (2110 to 2200 MHz)
 - B7 (2620 to 2690 MHz)
 - B41B (2540 to 2655 MHz)
- Integrated MIPI interface
- Small (4 × 2.7 × 0.7 mm) 22-lead MCM package (MSL3, 260 °C per JEDEC J-STD-020)



Skyworks Green™ products are compliant with all applicable legislation and are halogen-free. For additional information, refer to *Skyworks Definition of Green™*, document number SQ04-0074.

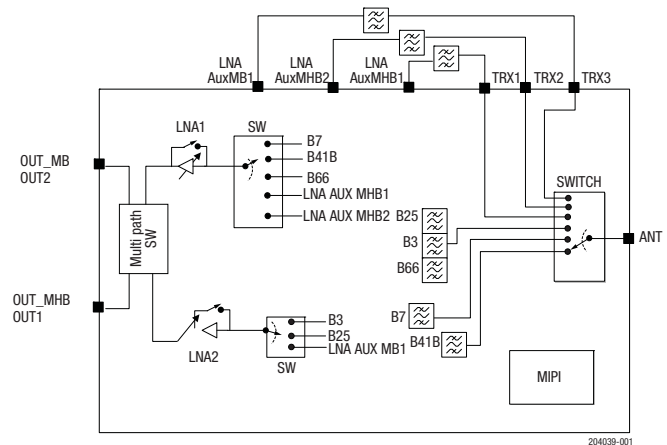


Figure 1. SKY13719-11 Block Diagram

Description

The SKY13719-11 is an LNA diversity module used in cellular mobile devices. The module is typically placed close to the cellular diversity receiver antenna enabling improved system signal-to-noise ratio (SNR), improved user equipment (UE) sensitivity, and higher data throughput rates.

High-performance LNAs with five variable-gain modes are integrated in this device to enable compatibility for next-generation LNA-less LTE transceivers.

It is compatible with 3GPP GSM, WCDMA, and LTE standards and supports the following cellular bands: B25, B3, B66, B7, and B41B.

The SKY13719-11 is packaged in a small 4 × 2.7 × 0.7 mm, 22-lead surface mount package. No external DC blocking capacitors are required on the RF paths as long as no DC voltage is applied. The part can operate over the temperature range of -30 °C to +85 °C.

A functional block diagram is shown in Figure 1.

Ordering Information

Product Description	Product Part Number	Evaluation Board Part Number
SKY13719-11: Mid-Band LNA Front-End Module	SKY13719-11	SKY13719-11EK1

Copyright © 2018 Skyworks Solutions, Inc. All Rights Reserved.

Information in this document is provided in connection with Skyworks Solutions, Inc. ("Skyworks") products or services. These materials, including the information contained herein, are provided by Skyworks as a service to its customers and may be used for informational purposes only by the customer. Skyworks assumes no responsibility for errors or omissions in these materials or the information contained herein. Skyworks may change its documentation, products, services, specifications or product descriptions at any time, without notice. Skyworks makes no commitment to update the materials or information and shall have no responsibility whatsoever for conflicts, incompatibilities, or other difficulties arising from any future changes.

No license, whether express, implied, by estoppel or otherwise, is granted to any intellectual property rights by this document. Skyworks assumes no liability for any materials, products or information provided hereunder, including the sale, distribution, reproduction or use of Skyworks products, information or materials, except as may be provided in Skyworks Terms and Conditions of Sale.

THE MATERIALS, PRODUCTS AND INFORMATION ARE PROVIDED "AS IS" WITHOUT WARRANTY OF ANY KIND, WHETHER EXPRESS, IMPLIED, STATUTORY, OR OTHERWISE, INCLUDING FITNESS FOR A PARTICULAR PURPOSE OR USE, MERCHANTABILITY, PERFORMANCE, QUALITY OR NON-INFRINGEMENT OF ANY INTELLECTUAL PROPERTY RIGHT; ALL SUCH WARRANTIES ARE HEREBY EXPRESSLY DISCLAIMED. SKYWORKS DOES NOT WARRANT THE ACCURACY OR COMPLETENESS OF THE INFORMATION, TEXT, GRAPHICS OR OTHER ITEMS CONTAINED WITHIN THESE MATERIALS. SKYWORKS SHALL NOT BE LIABLE FOR ANY DAMAGES, INCLUDING BUT NOT LIMITED TO ANY SPECIAL, INDIRECT, INCIDENTAL, STATUTORY, OR CONSEQUENTIAL DAMAGES, INCLUDING WITHOUT LIMITATION, LOST REVENUES OR LOST PROFITS THAT MAY RESULT FROM THE USE OF THE MATERIALS OR INFORMATION, WHETHER OR NOT THE RECIPIENT OF MATERIALS HAS BEEN ADVISED OF THE POSSIBILITY OF SUCH DAMAGE.

Skyworks products are not intended for use in medical, lifesaving or life-sustaining applications, or other equipment in which the failure of the Skyworks products could lead to personal injury, death, physical or environmental damage. Skyworks customers using or selling Skyworks products for use in such applications do so at their own risk and agree to fully indemnify Skyworks for any damages resulting from such improper use or sale.

Customers are responsible for their products and applications using Skyworks products, which may deviate from published specifications as a result of design defects, errors, or operation of products outside of published parameters or design specifications. Customers should include design and operating safeguards to minimize these and other risks. Skyworks assumes no liability for applications assistance, customer product design, or damage to any equipment resulting from the use of Skyworks products outside of stated published specifications or parameters.

Skyworks and the Skyworks symbol are trademarks or registered trademarks of Skyworks Solutions, Inc. or its subsidiaries in the United States and other countries. Third-party brands and names are for identification purposes only, and are the property of their respective owners. Additional information, including relevant terms and conditions, posted at www.skyworksinc.com, are incorporated by reference.